

**MAGNETIC FLOAT TYPE LEVEL SWITCH**  
**KEM-25/40 SERIES**



**LEADER OF CONTROL**

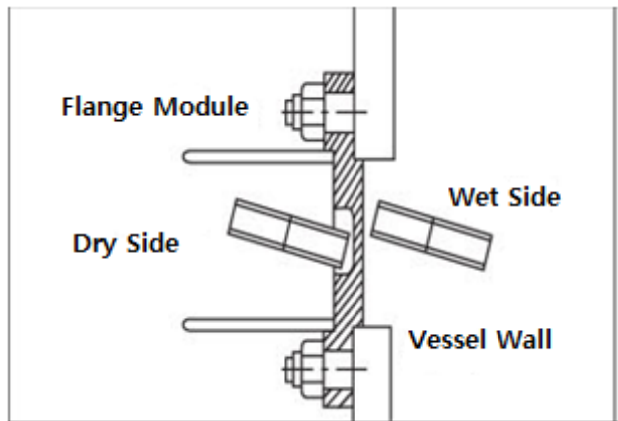
# Magnetic Float type Level Switch KEM-25/40 Switch

## General

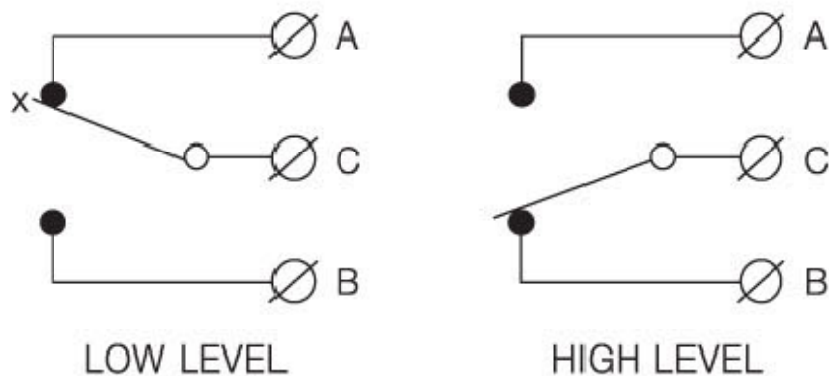
- Designed for horizontal mounting in a tank or vessel through flanged pipe connections.
- Standard models are equipped with a single switch mechanism for high or low alarm or control applications.

## Operating Principle

In this design, a float magnet and switch magnet are installed in parallel. As the process level rises, the float rises, the float magnet pivot down and the switch magnet is repelled up, there by changing the state of the electric switch.



## Connection Diagram



## Specification

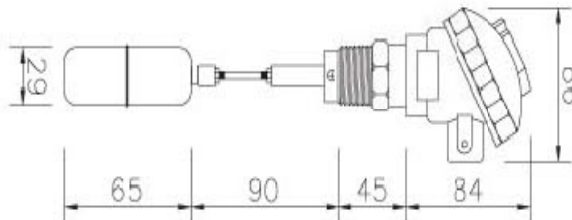
Model		KEM - 25	KEM - 40
Mounting Method		Screw – Flange	Flange
Mounting Size		JIS 25A 10K RF	JIS 40A 10K RF
Contact Capacity		AC 125 / 5A / AC250V 3A	
Working Pressure		STD : 10kg/cm <sup>2</sup>	STD : 20kg/cm <sup>2</sup>
Process Temp.		STD : 120°C	
material	Head	AL.C	
	Nipple& Flange	STD : SUS 304	
	Float	STD : SUS 304 / Titanium	

## Application

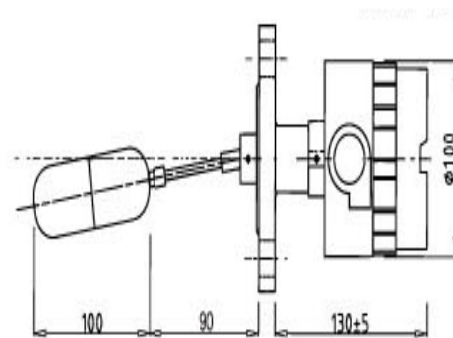
- Fuel oil tank control
- Process control for petrochemical plants
- Water treatment plants
- Other liquid level controls only

## Measurement

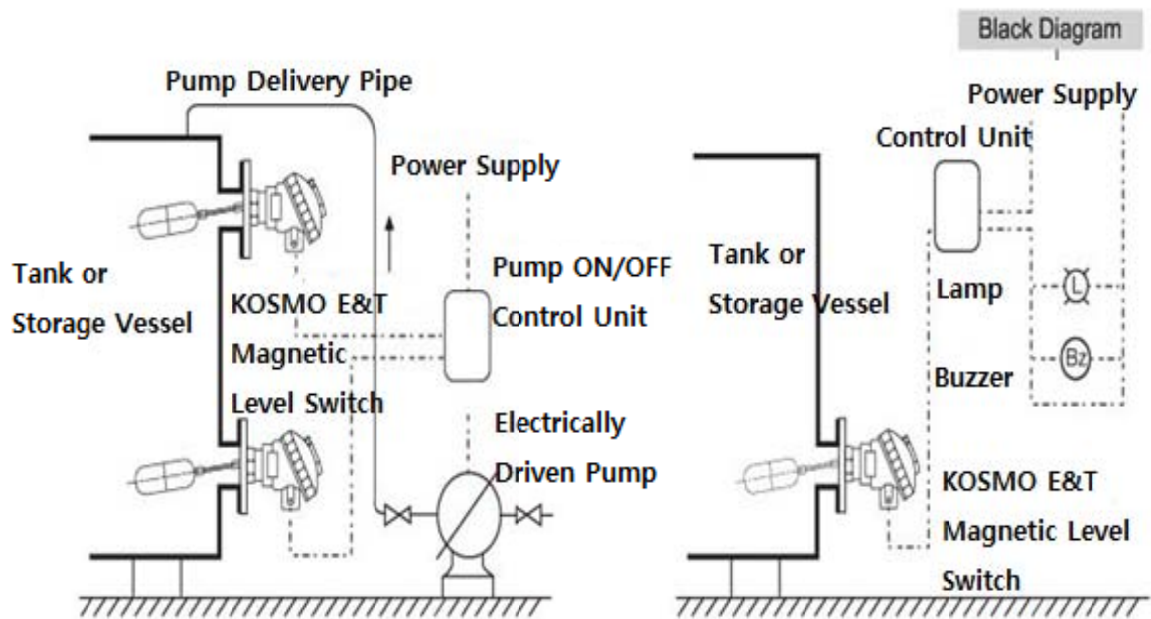
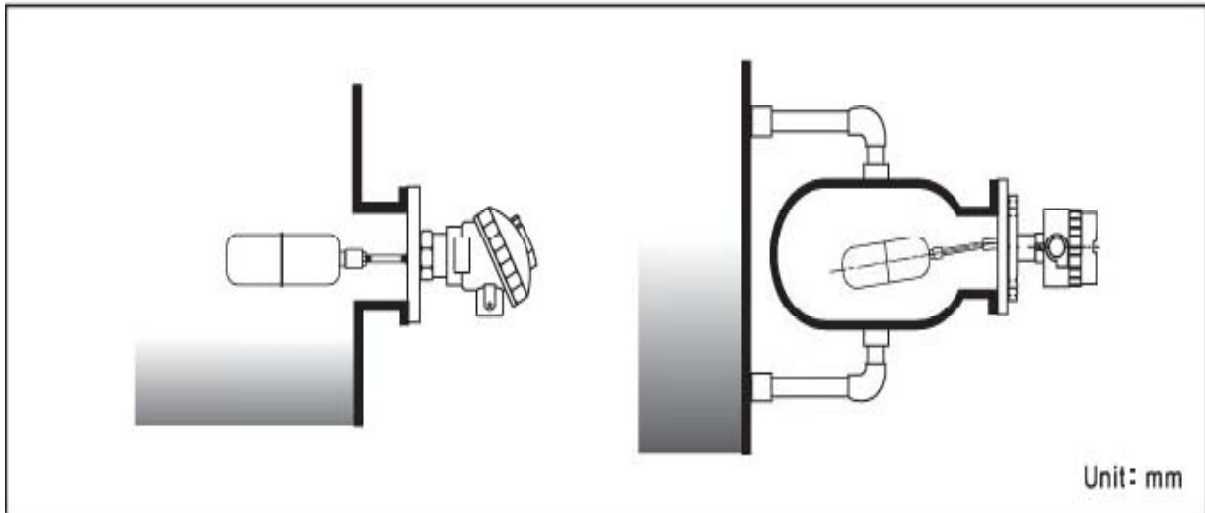
**KEM-25**



**KEM-40**



## Installation Method (important matter considered when installing)



## Order Codes

