

**MAGNETIC FLAP TYPE LEVEL GAUGE**  
**KEG-100F SERIES**

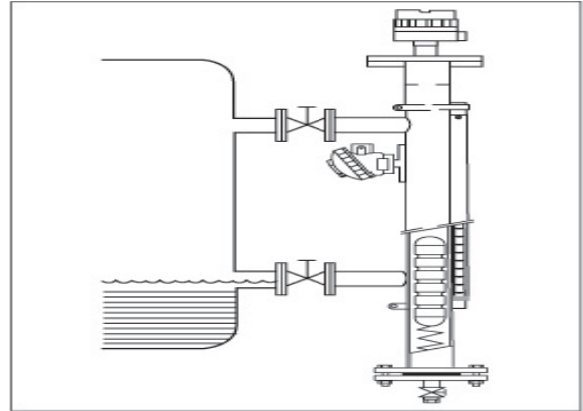


**LEADER OF CONTROL**

# Magnetic Flap Type Level Gauge KEG-100F Seires

## General

KOSMO E&T Magnetic Flap Type Level Gauge is a measuring instrument installed at the side of the tank. Magnetic Flap inspects the liquid level and indicates the position of measure object. Also, transmission and contact output is possible.



## Features

- Various kinds of liquids
- High temperature / High pressure
- It is used for tank installed at basement
- Transmission and contact output is possible.

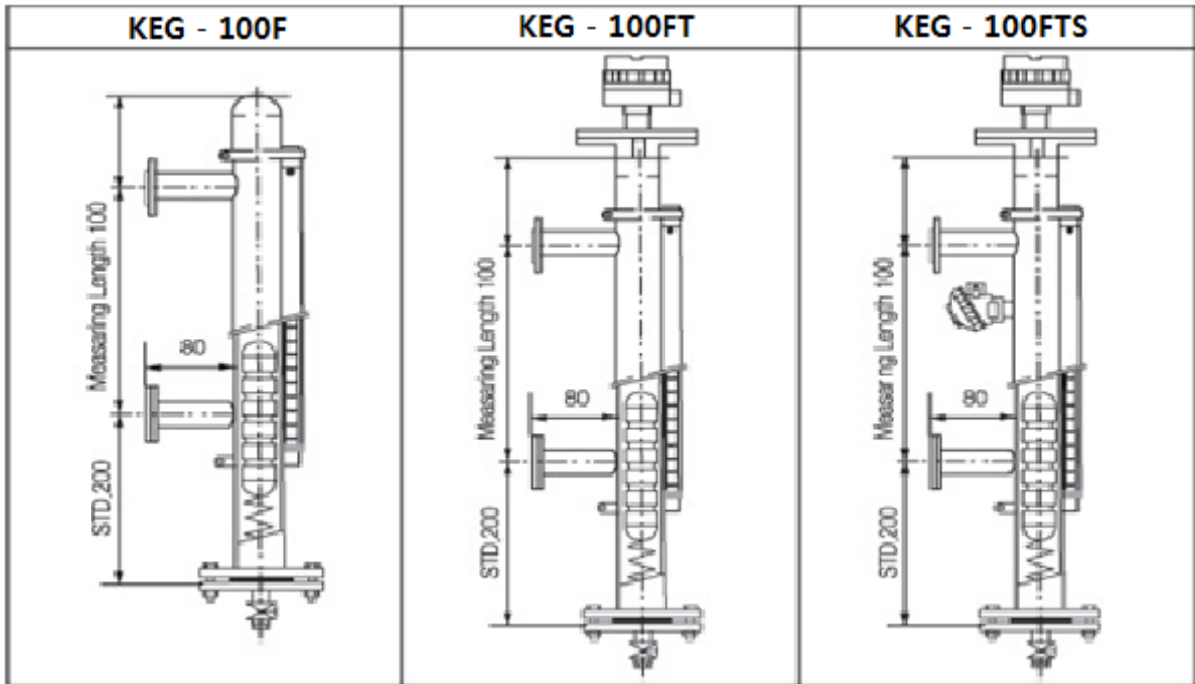
## Operation principle

Magnetic float is built in Chamber. As the float moves up and down depends on the liquid level, magnetic flap indicates the level of liquids by float color.

## Specifications

<b>Mounting Method</b>	Tank Side – Side
<b>Mounting Size</b>	JIS 25A 10K RF (STD.)
<b>Max, Press</b>	STD. : 10kg/cm <sup>2</sup>
	Special Version : Max. 100kg/cm <sup>2</sup>
<b>Max, Temp</b>	STD. : 120°C
	Special Version : Max. 350°C
<b>Measuring Range</b>	Min. 0~350mm
	Max. 0~5000mm
<b>Option (Output signal)</b>	Contact : SPST Contactrating : AC 110 V 1A
	Transmitter : 4-20mA

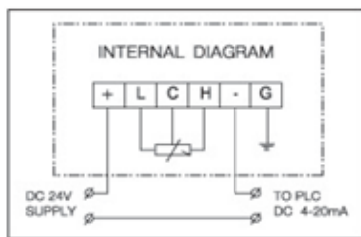
## Dimensions & Use Method



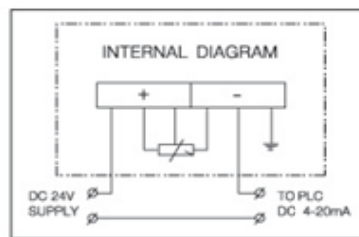
## Connection Method

### A. Transmitter.

#### 1) Magnetic Float Type



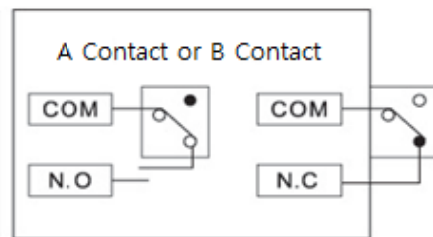
#### 2) Self-sensing Type



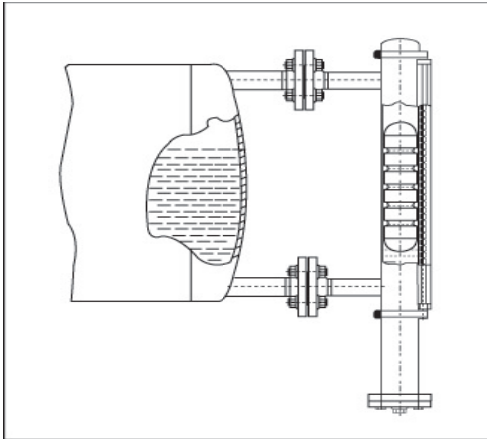
### B. Switch

#### Reed Switch Type

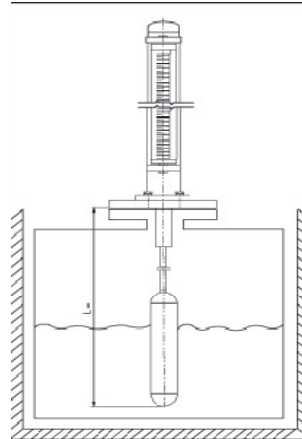
(1-SPST, Contact rating AC110V 1A)



**(Ground Tank)**



**(In-ground Tank)**



## Order Codes

### \* Type & Option

- 1 : Indicator Only
- 2 : DC4-20mA
- 3 : DC4-20mA+Contact (1~4 SPST)
- 4 : Contact (1~4 SPST)

### \* Chamber Material

- 1 : 304 SS
- 2 : 316 SS
- 3 : 316 SS + Teflon Lining
- 4 : PP
- 5 : Special

### \* Float Material

- A : 316 SS
- B : PP
- C : Titanium
- D : Special

### \* Flange Rating

- 1 : JIS 25A 10K RF
- 2 : 1"ANSI 150# RF
- 3 : 1"ANSI 300# RF
- S : Special

### \* Temp

- S : 80°C
- 0 : Special

### \* Press

- S : 10kg/cm<sup>2</sup>
- 0 : Special (Except PP)

### \* Sp. Gr

- 1 : 1.0(Standard)
- 2 : Special Version

### \* C to C(mm)

- A : 0 ~ 1000mm
- B : 1001 ~ 2000mm
- C : 2001 ~ 3000mm
- D : 3001 ~ 4000mm
- E : 4001 ~ 5000mm
- F : Special Version

KEG – 100F

