

MAGNETIC FLOAT TYPE LIQUID LEVEL SWITCH

KER-30 SERIES

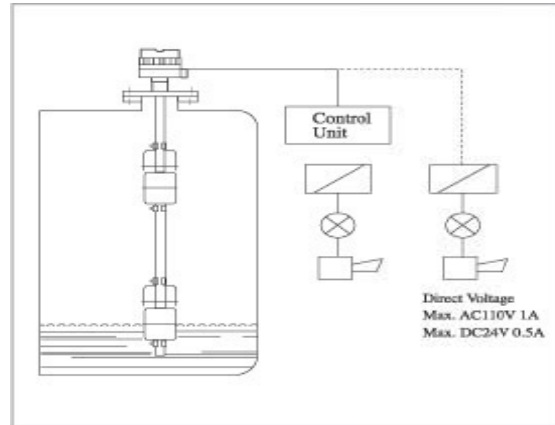


LEADER OF CONTROL

Magnetic Float Type Liquid Level Switch KER-30 Series

General

High reliable KOSMO E&T Magnetic Float Type Liquid Level Switch is an instrument used in various industrial processes including the corrosivity liquid.

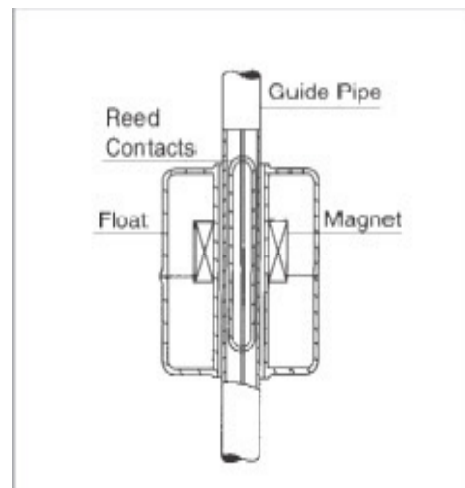


Feature

- Many contacts can be outputted in compliance with an order.
- Low-price and installation is simple.
- Use of highly reliable reed switch. (over ten million times action)
- Since the wet parts material can be changed, it applicable to the corrosive liquid.

Operation Principle

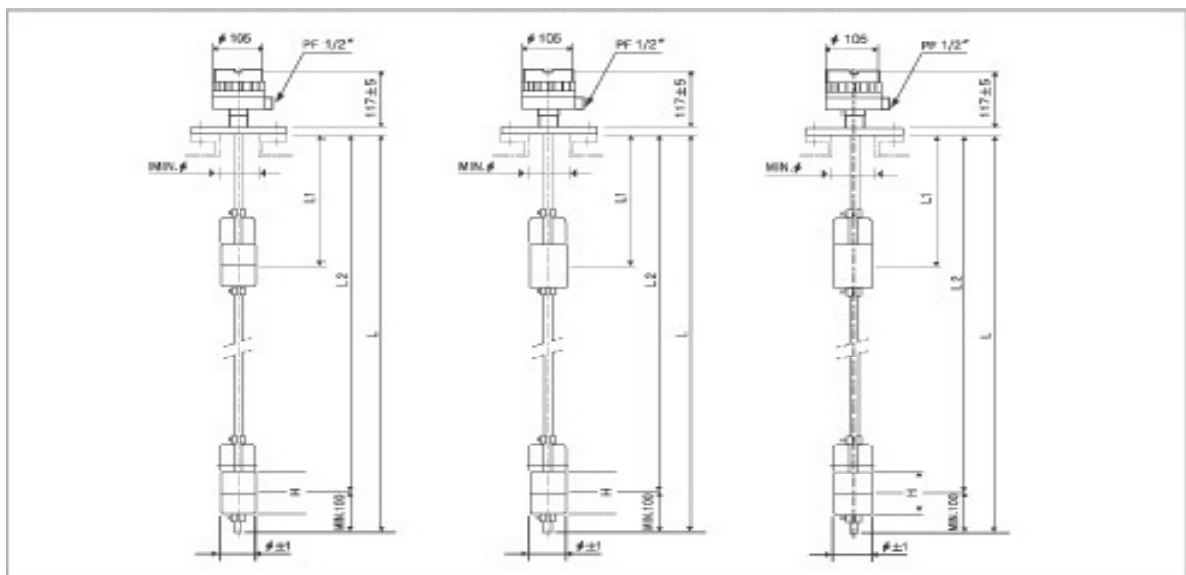
KER Series reed switch is installed inside the guide pipe in the tank. The float level rises the same as liquid level by the buoyancy. And, When it reaches the fixed position of reed switch, the contact of reed switch changes “ON” or “OFF” signal by the magnet in the float.



Specification

Model	KER-30S-□F	KER-30V-□F	KER-30T-□F
Mounting Method	Flange		
Mounting Size	3" or 4" 10K PF/FF		
Head Material	AL. C		
Wet Part Material	SUS 304/316	SUS 304+PVC(Float:PVC)	SUS304+PTFE (Float:PTFE)
Operating Pressure	10kg/cm ²	A T M	2kg/cm ²
Operating Temp	-15~+80°C	-15~+60°C	-15~+80°C (option 150°C)
Contact Type	SPST / Option SPDT		
Contact Rating	DC 24V 0.5A or AC110V 1A		
Enclosure	Weather Proof Option : Ex-Proof (Exd II C, T4, IP65)		
Conduit Conn.	PF 1/2"(F)		

Dimensions



KER-30S

KER-30V

KER-30T

● Attachment (2"KS 10K)

	SUS 304	SUS 316	PVC	PTFE
FLOAT SIZE	∅ 49 X H49	∅ 49 X H49	∅ 48 X H105	∅ 49 X H51
GUIDE PIPE	∅ 12.7	∅ 12.7	∅ 18	∅ 15

● Attachment (3"KS 10K)

	SUS 304	SUS 316	PVC	PTFE
FLOAT SIZE	∅ 74 X H105	∅ 74 X H105	∅ 76 X H100	∅ 70 X H100
GUIDE PIPE	∅ 15.9	∅ 15.9	∅ 22	∅ 18

● Attachment (4"KS 10K)

	SUS 304	SUS 316	PVC	PTFE
FLOAT SIZE	∅ 74 X H115	∅ 74 X H105	∅ 76 X H105	∅ 83 X H100
GUIDE PIPE	∅ 15.9	∅ 15.9	∅ 22	∅ 18

Float Size

Block Diagram

