

PADDLE TYPE LEVEL SWITCHES

KELV-100 SERIES



LEADER OF CONTROL

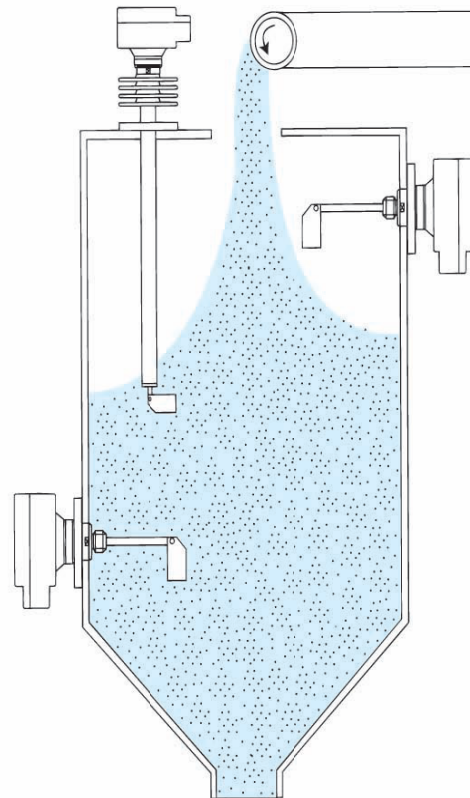
Paddle Type Level Switches KELV-100 Seires

General

Highly reliable & Low-price KOSMO E&T Paddle Type Level Switch is an instrument used for detecting the position of powders or grains by using the revolving action of the paddle connected to the motor.

Operation principle

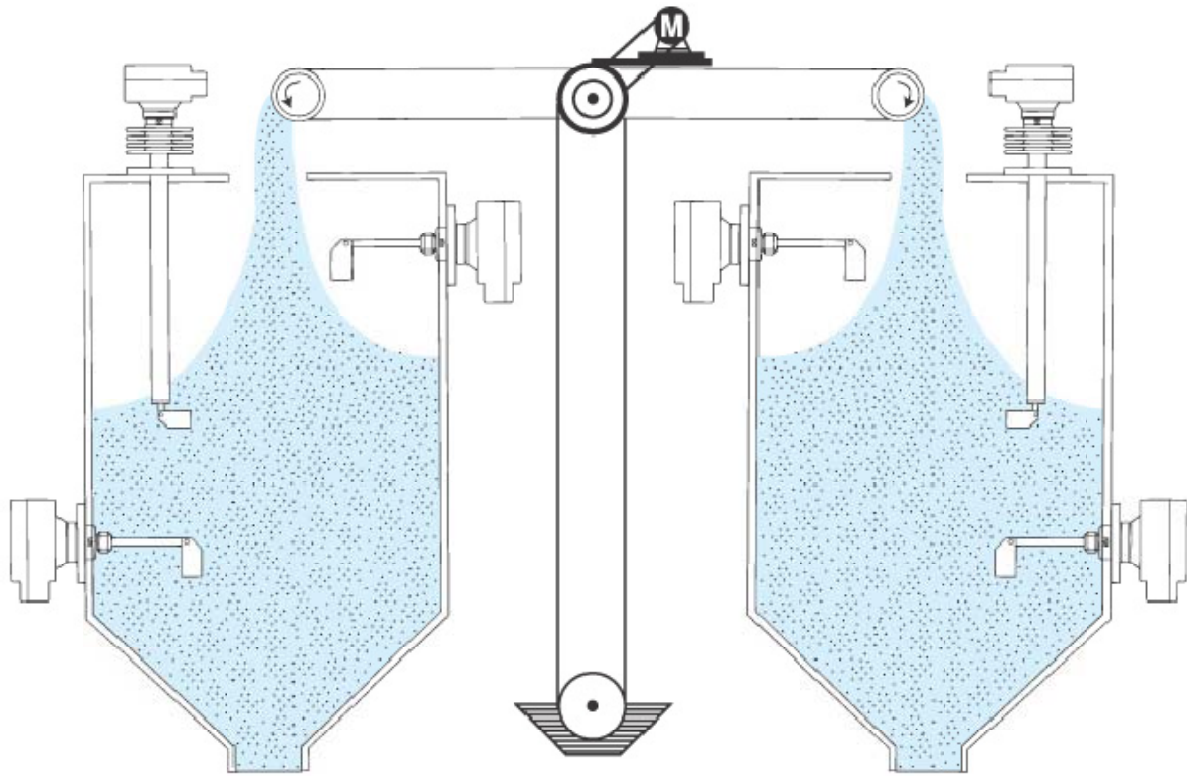
The line voltage impression to the sensor installed on the hopper make it starts to revolve the paddle connected to the small motor and the motor shaft. When the powder or grains sensor inside the tank reaches the paddle, micro switch is operated by the bracket attached to the motor while externally transmitting the alarm signals it stops the rotation of the motor. And then, when the powders or grains fall from the paddle, Motor starts the re-rotation by the spring power of motor.

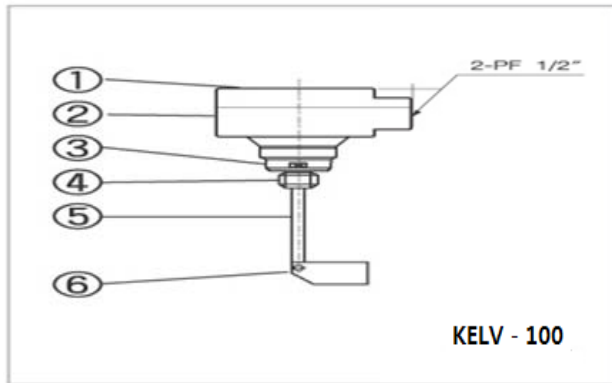


Feature

- Torque adjustment can be easy made by the spring installed inside
- It is designed to protect the motor even when over pressure is given to the paddle
- Each part of the instrument is checked up while keeping the unit is installed.
- Sensor length extension
- Various kinds of installation size

Installation Method





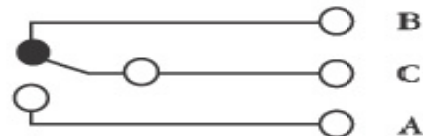
Particular Sheet

NO.	Name	Material	Note
1	COVER	AC 2B	
2	BODY	AC 2B	
3	NIPPLE	SS 41	
4	SCREW	SS 41	
5	SHAFT	SUS 304	
6	PADDLE	SUS 304	

NOTE

1. FLANGE & PADDLE can be a small size-made
2. Technical discussion is needed for the change of the materials.

Connection Diagram



*

Mechanical specification

	Max, Temp	Max, Press	ROD Length	Cable Grand	Mounting connection	Installation method
Basic Spec	Max 80°C	ATM	150mm	PF 1/2"	PT 1"	SCREW
Order Spec	Max 150°C	ATM	OPTION	OPTION	OPTION	OPTION

Electrical specification

	Switch	Contact Form	Contact Capacity	Power Source	contact
Basic Spec	Micro Switch	SPDT	AC 250V, 5A	AC110/220V,60Hz	Zero voltage contact
Order Spec				OPTION	

Dimensions

