

ELECTRODE TYPE LEVEL SENSOR

KEE SERIES



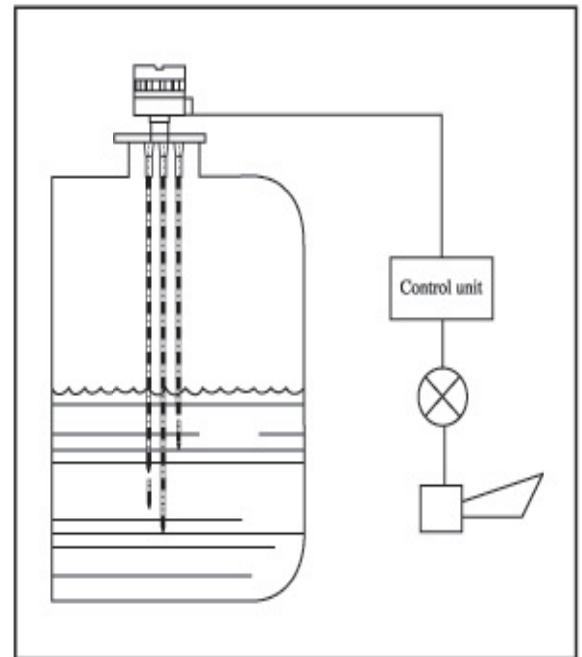
LEADER OF CONTROL

Electrode Type Level Sensor KEE Seires

General

KOSMO E&T's KEE series is an electrode (leakage current) type level sensor. KEE series is used for automatic control of the liquids level by installing at a liquid tank or check for the limit level alarm.

Since KEE series is simple in construction, it has little chance to malfunction and thanks to its light weight, handling and installation is easy. Also, KEE series takes up little space and there are no restrictions on sensing electrode length. Electrode is most widely used in the drinking water industry with the food processing industry since it uses incorrodible material.



Feature

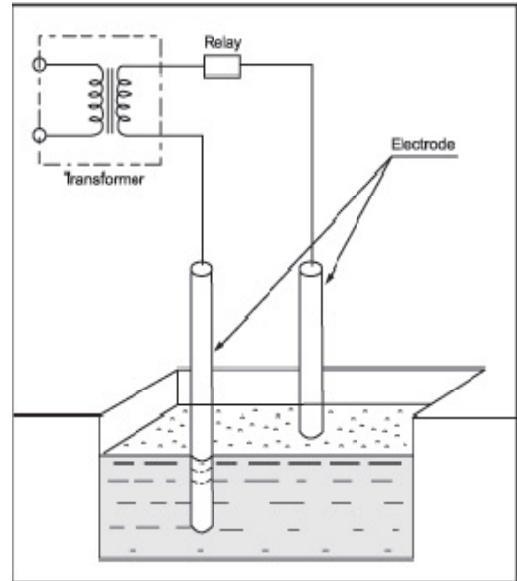
- KEE series takes up little space. – general water tank
- Handling and installation is easy. – beer and food tank
- Electric wiring and inspection, repair is easy – waste water disposal plant
- It must be used with control unit – chemical tank which has conductivity.

Operation principle

Electric current is passed through a transformer to the electrode. It doesn't conduct electricity without reaching the electrode due to low liquid level. But Relay is moved through the liquid between two electrodes by increasing the liquid level.

But it should be used by amplifying since sensitivity is not enough in this electrical circuit. And if there exists the sloshing of liquid level, the relay is negatively influenced. In the situation, the electric contact of the relay is protected by using a timer.

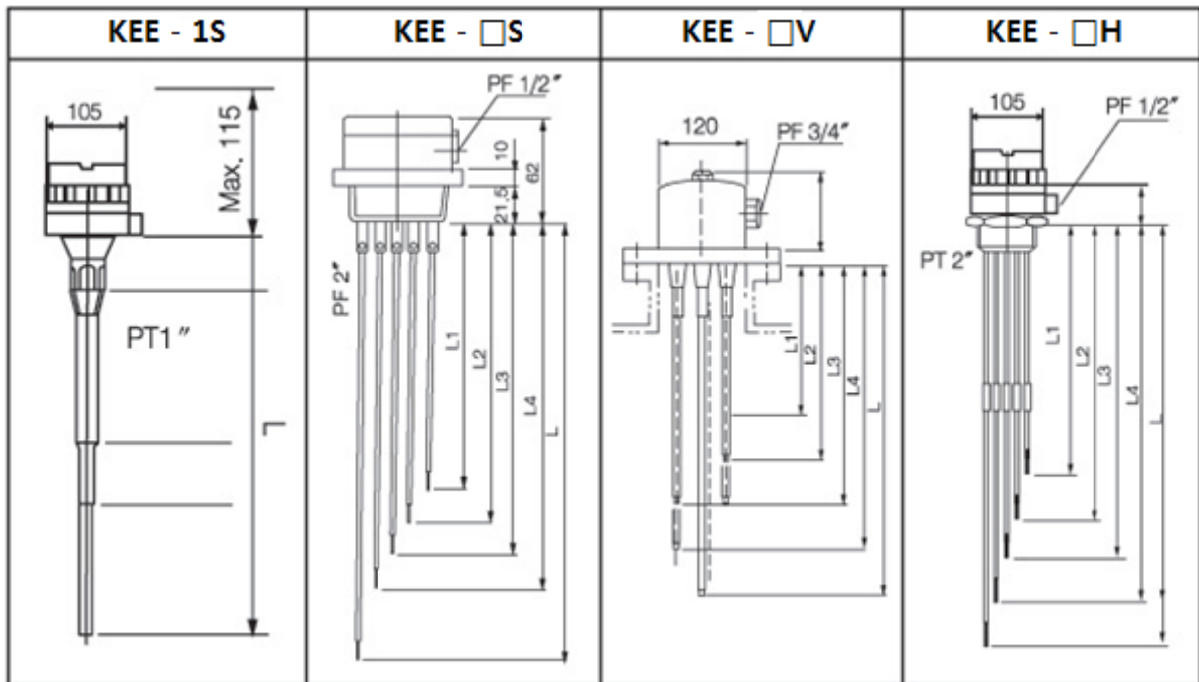
KEE series is an electrode (leakage current) type. But it is safe since the as low as 8~12V voltage is passed to the electrode.



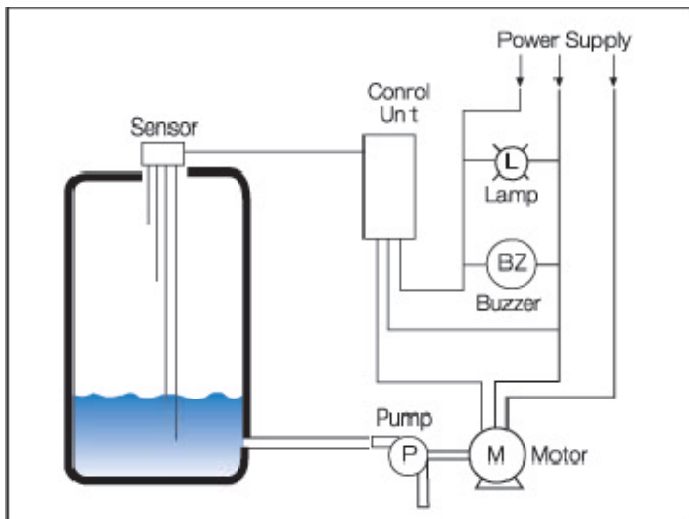
Specification

Model Classification	KEE -1S	KEE-□S	KEE-□V	KEE-□H
Mounting Size	PT 3/4"PT1"	PF2"	100A 10K	PT1"/PT2"
Mounting Method	SCREW	SCREW	FLANGE	SCREW/FLANGE
Electrode Q'ty	1	3,4,5	2,3,4,5	2,3,4,5
Max, Temperature	Max,80°C	Max.60°C	Max.60°C	Max.150°C
Max. Pressure	Max, 10kg/cm ²	ATM	Max, 2kg/cm ²	Max, 10kg/cm ²
Insulation	PTFE	P.P	P.P	PTEE
Electrode Material	SUS 304	SUS 304	SUS 304	SUS 304
Head Material	AL.C	PC	SS41/SUS	AL.C
Mounting Material	SUS 304	PVC	PVC	SUS 304
STD.(mm)	1000mm	1000mm	1000mm	1000mm
Electrode Length				
Use for	HIGH LEVEL And one point detectiont	General Water tank	Chemical tank and General Water tank	High pressure and high temperature tank

Dimensions



Block Diagram



Order Codes

* Enclosure
0 : Weather Proof (IP54)

* Process Temperature
1 : 60°C
2 : 80°C
3.: 150°C
S : Special

* Housing Material
1. Al
2. Carbon steel
3. Stainless steel
S : Special

* Process Connection / Material
1 : SCREW
2 : PVC Flange
3 : SUS Flange
Y : Special Version

* Probe Insulation
A : SUS 304 & P.P
B : SUS 316 & P.P
C : SUS 304 & Teflon
C : SUS 316 & Teflon

* Probe Length
1 : 1000mm / SUS304 (Standard)
2 : 1000mm / SUS316
S : Special Version

* Cable Entry
A : PF 1/2"
A : PF 3/4"
S: Special

* Combination Unit

KEE-SERIES